



PROJECT		REF		REV	ITEM CODE	
LOCATION		DATE			PAGE	

SANITARY WARE SPECIFICATION SHEET

Item Descriptions	GROHE (Germany) "Allure" Single-lever chrome plated bath & shower mixer with 2-way diverter
Dimensions	L156 x W136 x H193 mm
Model	24070000 (Bath & shower mixer) 35600000 (Mounting box)
Finish	Chrome Plated
Country of origin	Germany
Manufacturer	GROHE Limited
Supplier	Acme Sanitary Ware Co. Ltd Mr. Eric Wong/ Mr. Don Yuen
Contact Tel/Fax	(852) 2388-7171 / (852) 2710-8012
E-mail	acme@acmesanitary.com.hk
Website	www.acmesanitary.com.hk

Illustration/ Drawing

<p>"Allure" Single-lever mixer with 2-way diverter</p> <ul style="list-style-type: none"> · set for final installation for · GROHE Rapido SmartBox 35 600 · GROHE SilkMove 46 mm ceramic cartridge · GROHE StarLight chrome finish · wall escutcheon with GROHE QuickFix (covered escutcheon- and shaft sealing, covered fixing) · metal escutcheon, retroactively 6° adjustable · metal lever · automatic 2-way diverter · flow performance: outlet B = 27 l/min, outlet C = 27 l/min · without roughing-in-set 	<p>"GROHE Rapido SmartBox " Universal rough-in box, 1/2 "</p> <ul style="list-style-type: none"> · 3 outlets 1/2" · 2 inlets below, 1/2" · installation depth 75-105 mm · connection unit in DR brass · pre-mounted flushing plug · stable build-in box and protective cover · fixing options for solid walls and dry cladding · gasket · without set for final installation

Note: [YouTube \(Rapido SmartBox | Installation Video\) https://www.youtube.com/watch?v=KsWdVrq9fVI](https://www.youtube.com/watch?v=KsWdVrq9fVI)

* All information of the above is for the reference only. No prior notice is made if any changes.



PROJECT		REF		REV	ITEM CODE	
LOCATION		DATE			PAGE	

SANITARY WARE SPECIFICATION SHEET

GROHE ALLURE



GROHE QuickFix Plus quick and easy installation in a few simple steps

BEAUTY MEETS FUNCTION

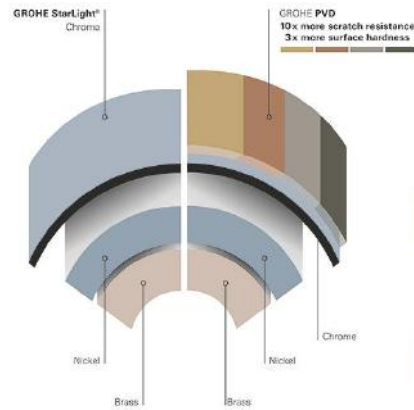
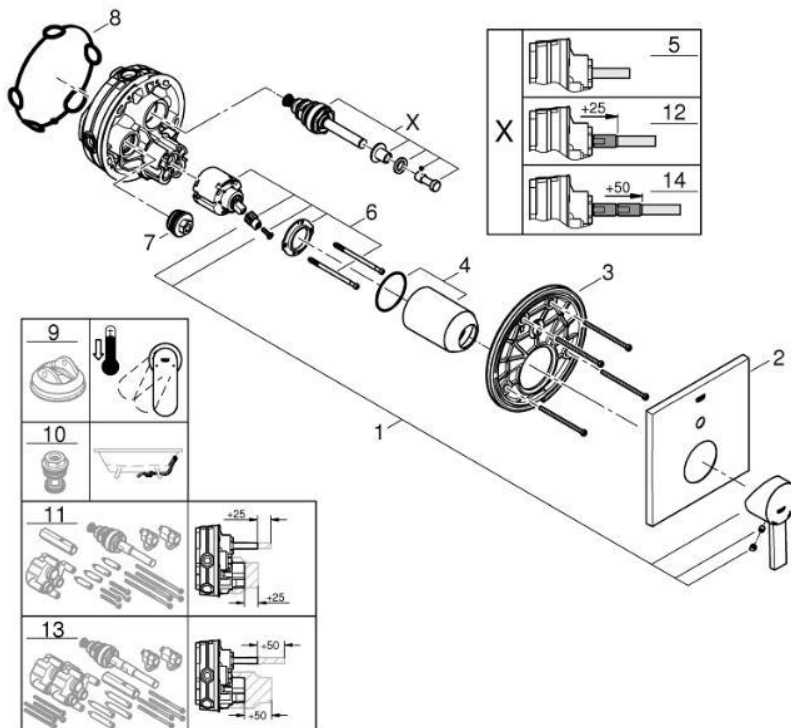
Perfectly balanced proportions on the outside and technically advanced on the inside – Allure unites inherent beauty with unmatched performance. Cylindrical bodies rise from square and rectangular base plates adding to its minimalist appeal, while the collection offers a choice of two handle styles – a flat lever or a tri-spoke design – to meet your exacting requirements.

Save time on the installation of your tap with GROHE QuickFix Plus. Consisting of fewer parts, our new system makes the installation process quicker and easier than ever.

GROHE SilkMove cartridge technology for smooth handling

This premium tap comes with a continuously variable water temperature and volume adjustment technology, ensuring effortless lever operation even after years of use.

Faucets and fittings in this collection illustrate our commitment to unrivalled quality in the bathroom.



GROHE surface hardness

x3
 Chrome PVD

GROHE scratch resistance

x10
 Chrome PVD

Pos.-nr.	Prod. description	Order-nr.
1	Lever	46609000
2	Escutcheon	48435000
3	Mounting plate	48440000
4	Cap	09038000
5	Diverter	48442000
6	Cartridge	46048000
7	Non-return valve	49085000
8	Seal	48360000
9	Temperature limiter	46375000*
10	Backflow protection combination (EN1717)	14055000*
11	Universal extension set single-lever mixers, 25 mm	14056000*
12	Diverter	48444000*
13	Universal extension set single-lever mixers, 50 mm	14057000*
14	Diverter	48445000*

* Optional accessories

Note:

* All information of the above is for the reference only. No prior notice is made if any changes.